

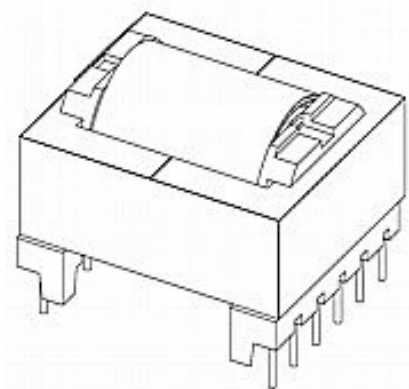
Inverter Transformer
SMD TYPE

SPECIFICATIONS

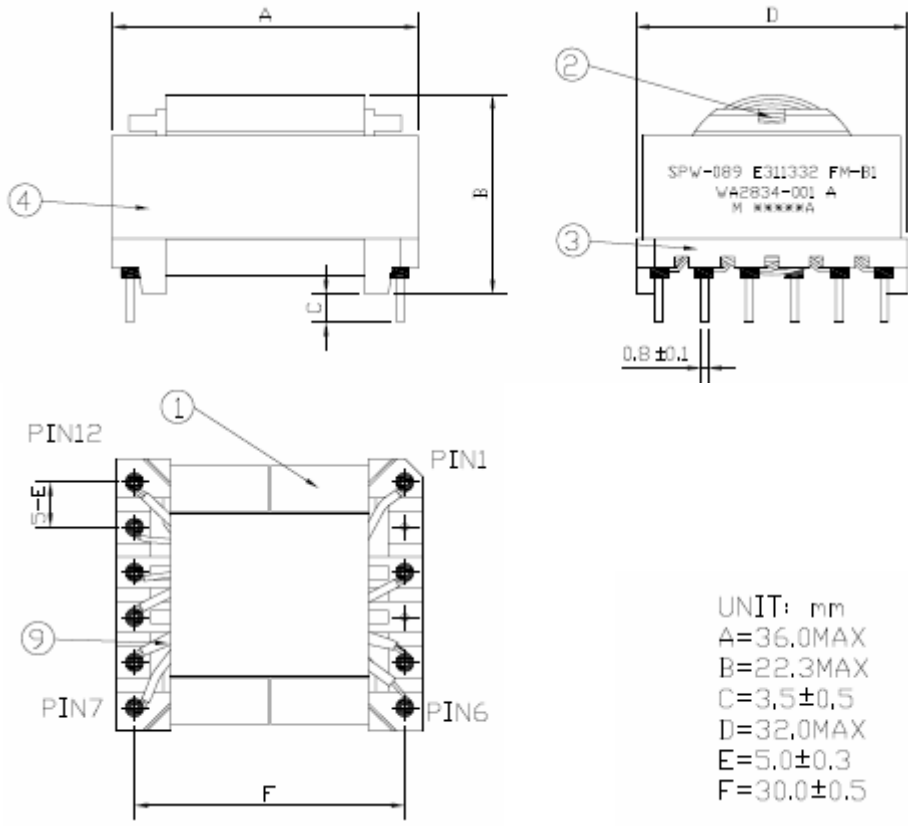
Feature

- Low profile and small size*
- Magnetically shielded*
- Tape and reel package*
- Operating Temperature: -20°C to +130°C*
- Inductance: .500 μ H \pm 7%*
- Lk : 12 μ H Max.*
- DCR : 0.25 Ω Max.*
- Coil SPC.: Φ 0.4*2 54Ts*

Applications
POWER SUPPLY



DRAWING



ORDERING INFORMATION

